

ProLine PL70

HEAVY FRAMELESS BYPASS BATH ENCLOSURE



Three-Year Limited Residential Warranty

Alumax Bath Enclosures by Sapa is pleased to warrant to its dealers and residential customers that the products supplied by it shall be free from defects in material and workmanship for three (3) years from purchase of the product, provided they are installed and maintained according to the manufacturer's recommended practices and installation instructions.¹ The Alumax Limited Warranty applies to the original residential owner only, and is not transferable.

**Proof of Purchase and/or Registration of the product required for warranty coverage.
Registration instructions accompany the product or available at www.alumaxshowerdoor.com.**

What Will Alumax Do?

Alumax will repair or replace, at its discretion, any product found to be defective in material or workmanship during the applicable warranty period. Labor is not included. In the case of discontinued products subject to warranty coverage, Alumax reserves the right to substitute comparable product of equivalent function.

What is Not Covered?

This limited warranty applies only to materials and workmanship supplied by Alumax. This limited warranty does not cover glass (claims of glass breakage are excluded) or outside fabrication provided by others. It excludes all wear items and does not cover defects caused by improper installation of the product. Laws and building and safety codes governing the design and use of bathrooms vary widely. Alumax does not control the selection of product, configurations, operating hardware or glazing materials, and assumes no responsibility for such.

ALUMAX DOES NOT MAKE ANY OTHER REPRESENTATIONS OR WARRANTIES, EXPRESS OR IMPLIED, INCLUDING, BUT NOT LIMITED TO, ANY IMPLIED WARRANTY OF MERCHANTABILITY OR ANY IMPLIED WARRANTY OF FITNESS FOR A PARTICULAR PURPOSE. TO THE EXTENT ANY IMPLIED WARRANTIES ARE IMPLIED UNDER STATE LAW, SUCH WARRANTIES ARE LIMITED TO THE DURATION OF THE APPLICABLE LIMITED WARRANTY TIME FRAME OF THREE (3) YEARS.

IN NO EVENT SHALL ALUMAX BE LIABLE FOR SPECIAL, DIRECT, INDIRECT, OR CONSEQUENTIAL DAMAGES, INCLUDING, BUT NOT LIMITED TO, LOSS OF USE OR PROFITS, PERSONAL INJURY, OR DAMAGE TO OTHER PROPERTY.

Some states do not allow the exclusion or limitation of implied warranties, or the exclusion or limitation of special, incidental or consequential damages, therefore these limitations and exclusions may not apply to you.

This warranty gives you specific legal rights, and you may also have other rights which vary from state to state.

How do You Get Warranty Assistance?

To make a claim under the terms of this Limited Warranty, contact your local Alumax Dealer or call or write Alumax Consumer Service at 800-643-1514, 248 W. Greene St., Magnolia, AR 71753. Proof of Purchase and/or Registration of the product is required for warranty coverage.

¹ The manufacturer's recommended practices and installation instructions are available at www.alumaxshowerdoor.com, by contacting your local Alumax Dealer, or by calling or writing Alumax Customer Service at 800-643-1514, 248 W. Greene St., Magnolia, AR 71753.

!WARNINGS!

Alumax Bath Enclosures by Sapa are intended to be installed by experienced installers. If you need assistance with installation, or locating an experienced installer, contact Alumax Consumer Service at 800-643-1514. Ensure that the bath enclosure is installed appropriately. Improper installation can lead to breakage, damage or improper performance of the bath enclosure.

Wear safety glasses when drilling or cutting to avoid injury to the eyes.

When drilling holes in ceramic tile or marble, use a center punch and hammer to carefully break the surface glaze so the drill can start without skidding. A skidding drill can cause damage to the surface and can be dangerous (risk of personal injury).

Use caution and proper technique whenever using tools to avoid damage to property and/or personal injury.

Shower doors are not water-tight. They are designed to prevent leaks under normal shower conditions. Excessive water pressure or directing the shower directly at the door can result in leaks.

Do not hang on towel bars or handles or use them to support your weight getting in and out of the bathtub or shower. Towel bars and handles are not intended to be used as grab bars for assistance getting in and out of the shower or bathtub. They are not intended to support a person's weight and could break.

Do not use excessive force when opening and closing shower doors. Excessive force could lead to glass breakage or other damage to the enclosure.

!GLASS WARNINGS!

TEMPERED GLASS CANNOT BE CUT. Attempting to cut tempered glass will result in the glass breaking or shattering.

USE CAUTION WHEN HANDLING GLASS PANELS. Safety tempered glass is very resistant to breakage, but it can still break if unequal pressure is placed on it during installation (or if cutting of the glass is attempted). In addition, the sharp corners of the panels can damage tile and floor coverings or cause injury.

BEFORE BEGINNING INSTALLATION

Unpack your unit carefully and inspect for freight damage. Lay out and identify all parts using the instruction sheets as a reference. Before discarding the carton, check for small hardware bags that tend to fall into the bottom of the box. If any parts are damaged or missing, refer to the descriptions noted in the instructions when contacting your dealer for replacements.

To install your Alumax Bath Enclosure by Sapa, you will need the following: tape measure, level, #2 Phillips screwdriver, flat screwdriver, drill, 1/8", 7/64" and 3/16" drill bits, hacksaw, pencil, and caulking (clear silicone recommended). Optional tools include a miter box for cutting parts to length, files, center punch and masking tape.

NOTE: Before beginning installation, check the tub rim for level and both walls for plumb. If either are off more than 1/4" to 3/8", you may want to contact your dealer for tapered fillers which can be used to level the tub track or plumb the wall jams.

CARE AND CLEANING

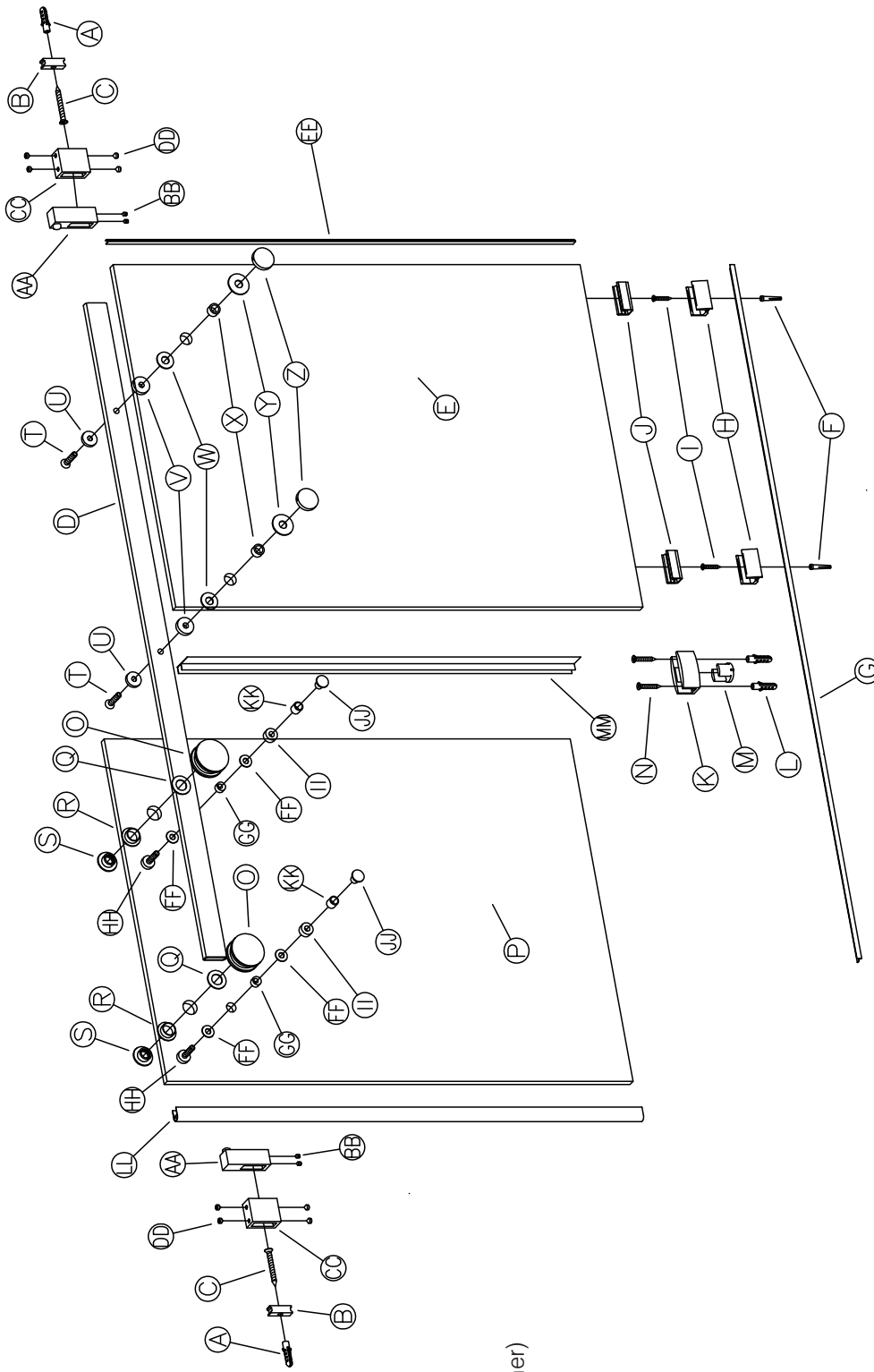
The simplest and preferred method of cleaning your unit is by washing it with clean water and drying with a soft cloth.

If soil is still present after drying, a non-abrasive cleanser with a pH of seven to eight may be used. Comet Bathroom Cleaner® has been tested and is recommended by the Bath Enclosure Manufacturers Association (BEMA).

DO NOT USE SCOURING PADS, SHARP INSTRUMENTS, BLEACH OR ACID-BASED CLEANSERS TO CLEAN THE UNIT AS THEY MAY DAMAGE THE UNIT.

PL70 PARTS LIST

- A** Wall Mount Anchor
- B** Wall Mount Block
- C** 1/4 x 2 Wall Mount Screw
- D** Header Bar
- E** Fixed Panel
- F** Clip Anchor
- G** Threshold
- H** Glass Clip
- I** Glass Clip Screw
- J** Clip Vinyl Insert
- K** Center Guide
- L** Center Guide Anchor
- M** Center Guide Insert
- N** Center Guide Screw
- O** Roller
- P** Door Glass
- Q** Roller Plastic Washer
- R** Roller Bushing
- S** Roller Cap
- T** Glass Mount Screw
- U** Glass Mount Retainer (Inner)
- V** Glass Mount Spacer
- W** Small Plastic Washer
- X** Glass Insert
- Y** Large Plastic Washer
- Z** Glass Mount End Cap
- AA** Stopper
- BB** Stopper Set Screw
- CC** Wall Mount Sleeve
- DD** Wall Mount Set Screw
- EE** Wall Seal
- FF** Anti-Jump Plastic Washer
- GG** Anti-Jump Glass Insert
- HH** Anti-Jump Main Shaft
- II** Anti-Jump Spacer
- JJ** Anti-Jump End Cap
- KK** Anti-Jump Sleeve
- LL** Bulb Vinyl
- MM** Panel Seal

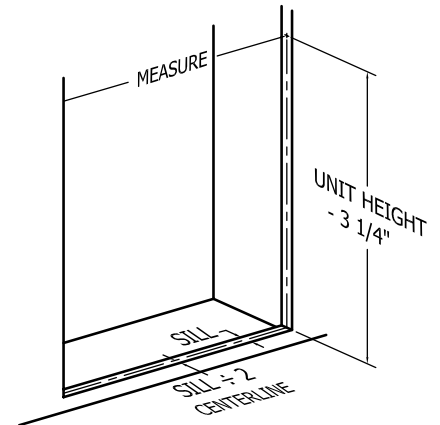


Notes:

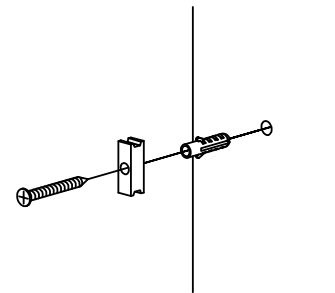
This is a two person installation.

All marks made on tile, marble or fiberglass should be made lightly in pencil so they can be removed after the installation is complete. An optional method is to use masking tape on the walls and sill that can be removed as the installation progresses.

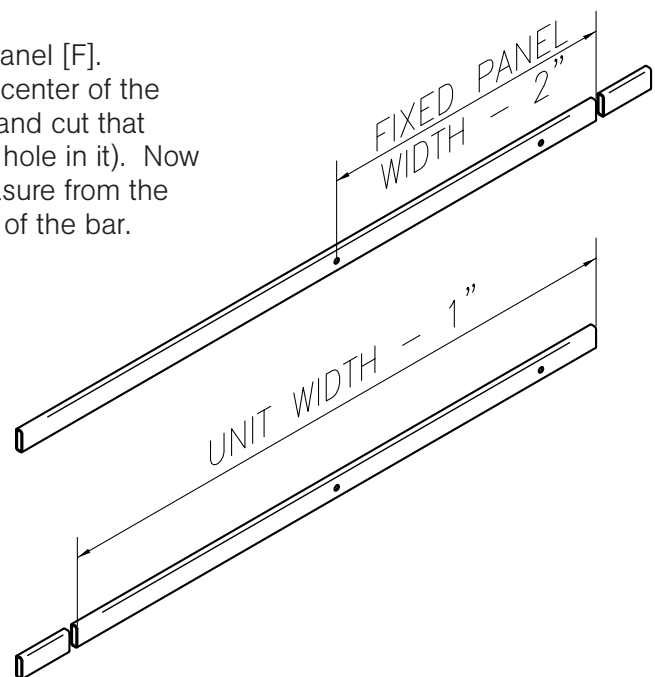
1 Establish Centerlines – The centerlines of the unit must be established on the shower sill and on the walls as well. Measure the width of the shower sill and mark the centerline down the middle. Transfer the centerline to the walls using a level. Mark Header Bar location at 3 1/4" less than the unit height, on the centerline. Measure, and write down, the distance between the two Wall Mount marks.



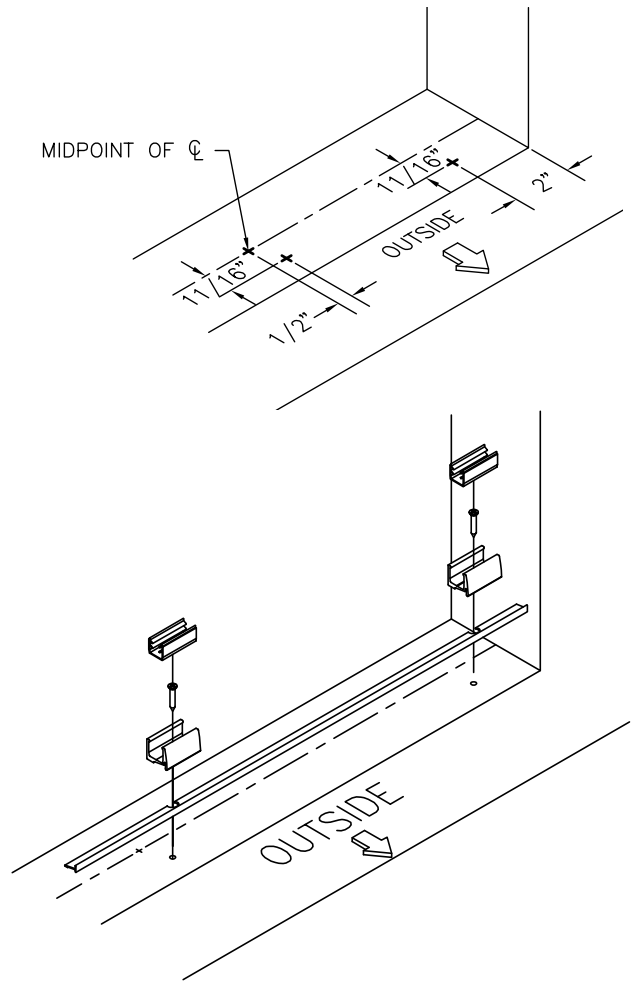
2 Bar Mount – Drill the Wall Mount holes 5/16" diameter. Insert the Wall Anchors [A] fully into the holes. Using the 1/4 x 2" Flat head screws [C] attach the Wall Mount Blocks [B] to the wall, with the long edge vertical.



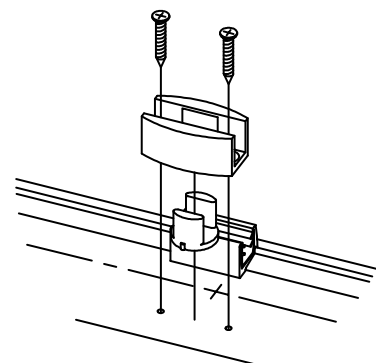
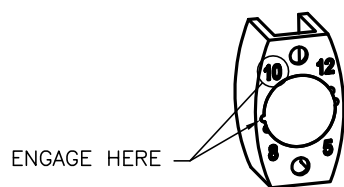
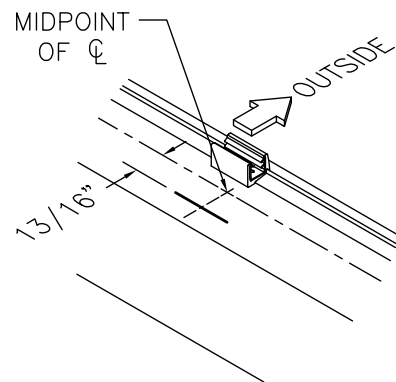
3 Bar Length - Measure the width of the fixed glass panel [F]. Subtract 2" from that dimension. Measure from the center of the middle hole in the bar to the fixed panel end of the bar and cut that end off (The fixed panel end is the one with the second hole in it). Now subtract 1" from the measurement taken in step 1. Measure from the cut end of the bar to the uncut end and cut that end off of the bar.



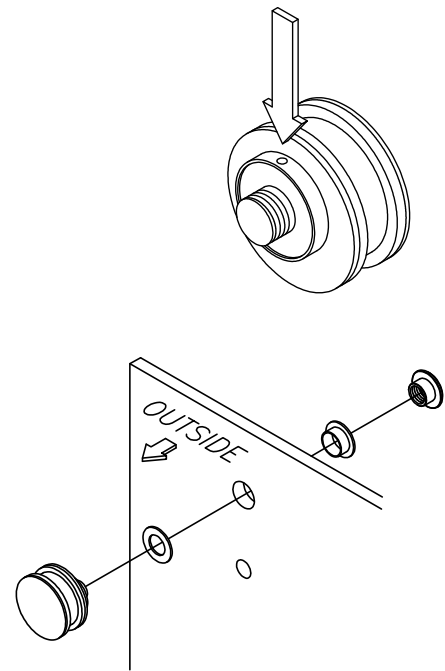
4 Glass Clips and Threshold – Mark the center point of the sill, along the centerline, established in step one. Make a mark $1/2"$ over toward the Fixed Panel [E] side and $11/16"$ outside of the centerline. Make another mark $2"$ over from the wall and $11/16"$ outside of the centerline. Drill a $1/4"$ hole at each of these marks. Clean the area around the holes and put a little silicone into each hole. Press the Clip Anchors [F] into the hole until fully seated. Measure the sill width at the centerline, and cut the Threshold [G] to that dimension. Place the Threshold on the sill next to the Clip holes. Transfer the Glass Clip [H] hole locations on the sill over to the Threshold. Notch or drill a $3/8"$ hole in the Threshold, for the Glass Clip Screws [I] to pass through. You can also cut about a $3/8"$ section out of the threshold at each location. Place the Threshold on the sill and place the Glass Clips over it, at the correct locations. Align the Threshold so that it is straight. Tape it down in a few spots and lightly trace the inside edge. Remove the tape, Threshold and Glass Clips. Run a bead of caulk, approximately $1/8"$ outside of the mark you just made. Replace the Threshold and fasten the Glass Clips to the sill with the clip screws. Install the Vinyl Inserts [J] into the Glass Clips. **CAUTION:** Tape the threshold down to keep it from being moved during the rest of the installation



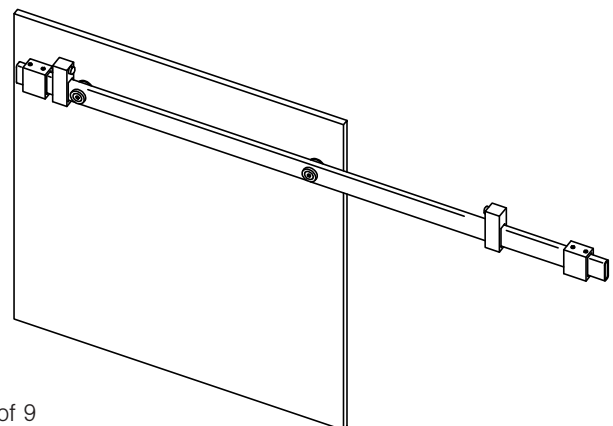
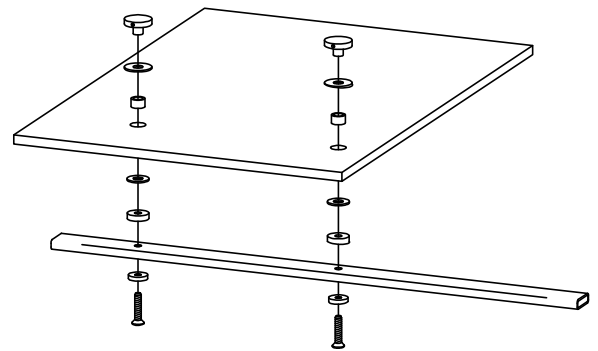
5 Center Guide – At the middle of the centerline, make a mark approximately $2"$ long and $13/16"$ to the inside of the enclosure. Place the Center Guide [K] on the new mark, centered on the middle of the centerline. Mark the center of the attachment holes and, remove the Center Guide. Drill two $5/16"$ holes at the marked locations. Clean the area around the holes and put a little silicone into each hole. Press the Center Guide Anchors [L] into the holes until the lip is flush with the sill. **IMPORTANT:** Make sure that the lobe on the Center Guide Insert [M] is engaged with the proper slot in the Center Guide, as shown. Mount the Center Guide with the Center Guide Screws [N].



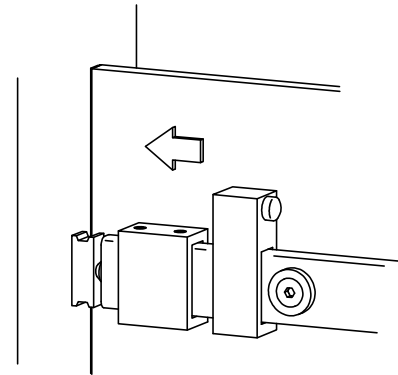
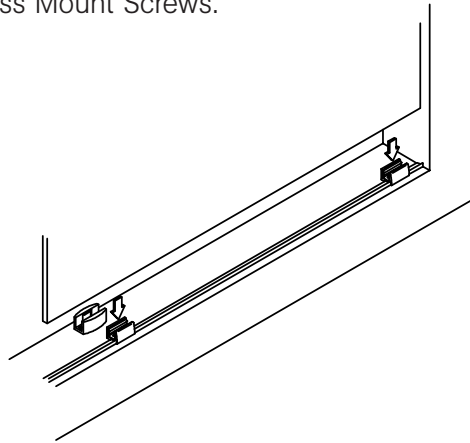
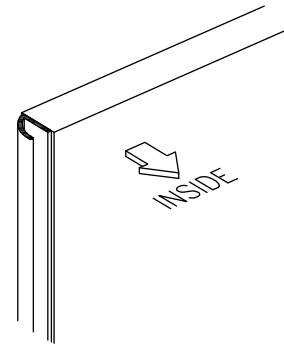
6 Door Panel – Notice that the Roller [O] has an offset attachment plate. Install the Rollers to the Door Glass [P] with the Plastic Washer [Q] against the Roller and the Roller Bushing [R] against the Roller Cap [S]. Adjust the roller so that the hole in the attachment plate is to the left or right. This will allow adjustment after the door has been installed. Snug it down firmly, but not all the way, using a 5/64" Allen wrench to hold the roller and the adjustable wrench to turn the cap. Install your handle option at this time. Set the door glass inside the enclosure with the rollers to the outside. CAUTION: Make sure that you set the Door Glass on something so that the glass and/or the floor of the enclosure is not damaged. Cardboard packing material works fine.



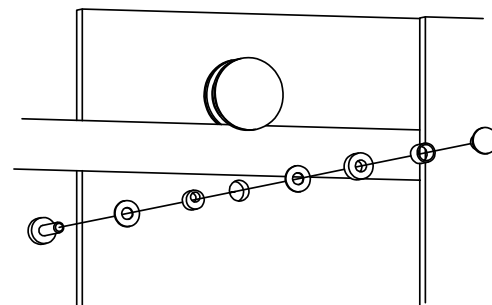
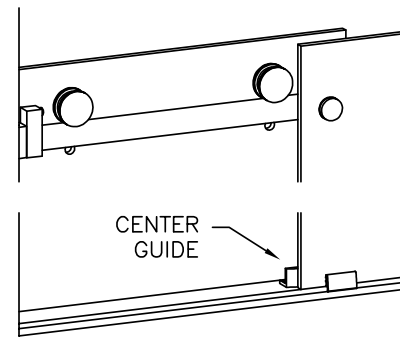
7 Load the Bar – Place the Fixed Panel [E] on a flat surface with the mounting holes hanging off the edge, and the inside of the panel facing down. Thread a Glass Mount Screw [T] through an Inner Glass Mount Retainer [U], through the middle hole in the Header Bar [D], through a metal Glass Mount Spacer [V] and a Small Plastic Washer. Insert the end of the screw through the hole 1 1/2" from the edge of the Fixed Panel [E]. Place the Glass Insert [X] over the end of the screw and into the hole in the glass. Place a Large Plastic Washer [Y] and a Glass Mount End Cap [Z] over the end of the screw and snug the assembly. (**DO NOT TIGHTEN**). Do the same for the other Glass Mount. Place a Stopper [AA] on each end of the Header Bar with the rubber bumper to the top and facing towards the middle of the Header Bar. Slide the Stopper over 6" or so from the end and snug a Stopper Set Screw [BB] to keep it from moving freely. (**DO NOT TIGHTEN**). Slide a Wall Mount Sleeve [CC] on both ends of the Header Bar with the set screw hole closest to the edge of the sleeve facing the end of the bar, and snug one Set Screw [DD]. (**DO NOT TIGHTEN**).



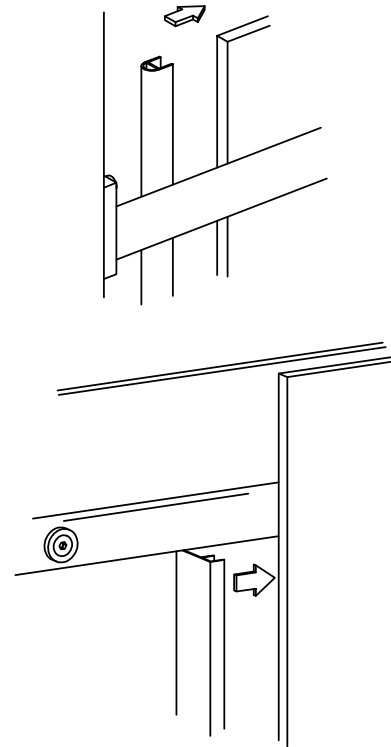
8 Fixed Panel Installation - Install the “peel-and-stick” Wall Seal [EE] on the wall side edge of the Fixed Panel. Orient it with the open end to the inside of the enclosure. Lift the Fixed Panel and set it in the Glass Clips with the edge as tight to the wall as possible. Loosen the Set Screws in the Wall Mount Sleeves and slide them over the Wall Mount Blocks. Snug the Set Screws into the block (**DO NOT TIGHTEN**). Loosen, but do not remove, the Glass Mount Screws and make sure the Header Bar is still level, or has a slight tilt toward the door side. Small adjustments in the Header Bar can be made with the Set Screws in the Wall Mount Sleeves. Once you have the Header Bar set as you want it, and the Fixed Panel positioned correctly, tighten the Wall Mount Set Screws, then the Glass Mount Screws.



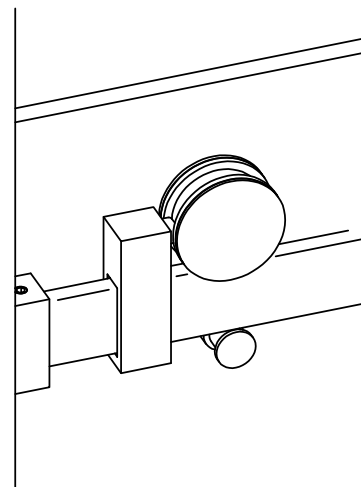
9 Door Panel Installation – Lift the Door Glass [P] and place the rollers on the bar, making sure to get the bottom edge of the Door Glass into the Center Guide. To adjust the Rollers, up or down, use the adjustable wrench to loosen the roller and use a 5/32” Allen wrench to turn the adjuster on the roller mounting plate. Turning the hole in the adjuster plate to the down position will lower the glass, turning it to the up position will raise the glass. **CAUTION: DO NOT LET THE GLASS FALL.** Install the Anti-Jump by placing an Anti-Jump Plastic Washer [FF] and the Anti-Jump Glass Insert [GG] over the Anti-Jump Main Shaft [HH]. Insert through the hole in the door glass, below the bar from the inside with the threaded end of the shaft pointing to the outside. Place another Anti-Jump Plastic Washer, an Anti-Jump Spacer [I I], and thread the Anti-jump End Cap [JJ] and Anti-Jump Sleeve [KK] onto the main shaft. Adjust so that the Anti-Jump Sleeve and End Cap are as close to the bottom of the bar as possible and tighten. Install the other Anti-Jump assembly.



10 Seal Installation – Cut the Bulb Vinyl [LL] to the vertical length of your Door Glass. Cut the Panel Seal [MM] to the vertical length of the door glass minus 4". Press the Bulb Vinyl on the strike side of the Door Glass and the Panel Seal on the other, below the Header Bar. A small amount of silicone can be used between the glass and seal if you like.



11 Set the Stops – Move the door to the closed position. Slide the Stopper [AA] over until it touches the roller on the strike side of the door. Tighten the Stopper Set Screw [BB]. Move the door to the open position with the handle 1/4" - 1/2" from hitting the fixed panel. Slide the other stopper over until it just touches the roller on the fixed side of the door. Tighten the Stopper Set Screw.



12 Finishing Up – Make sure that all fasteners are tight. Clean all exposed marks you made on the sill and walls of the shower stall. Clean the glass panels.

13 Allow 24 hours for any silicone to completely cure, before using your new Alumax Shower Door.