

LANI

TUB / SHOWER SHIELD

www.alumaxshowerdoor.com



Three-Year Limited Residential Warranty

Alumax Bath Enclosures by Hydro is pleased to warrant to its dealers and residential customers that the products supplied by it shall be free from defects in material and workmanship for three (3) years from purchase of the product, provided they are installed and maintained according to the manufacturer's recommended practices and installation instructions.¹ The Alumax Limited Warranty applies to the original residential owner only, and is not transferable.

**Proof of Purchase and/or Registration of the product required for warranty coverage.
Registration instructions accompany the product or available at www.alumaxshowerdoor.com.**

What Will Alumax Do?

Alumax will repair or replace, at its discretion, any product found to be defective in material or workmanship during the applicable warranty period. Labor is not included. In the case of discontinued products subject to warranty coverage, Alumax reserves the right to substitute comparable product of equivalent function.

What is Not Covered?

This limited warranty applies only to materials and workmanship supplied by Alumax. This limited warranty does not cover glass (claims of glass breakage are excluded) or outside fabrication provided by others. It excludes all wear items and does not cover defects caused by improper installation of the product. Laws and building and safety codes governing the design and use of bathrooms vary widely. Alumax does not control the selection of product, configurations, operating hardware or glazing materials, and assumes no responsibility for such.

ALUMAX DOES NOT MAKE ANY OTHER REPRESENTATIONS OR WARRANTIES, EXPRESS OR IMPLIED, INCLUDING, BUT NOT LIMITED TO, ANY IMPLIED WARRANTY OF MERCHANTABILITY OR ANY IMPLIED WARRANTY OF FITNESS FOR A PARTICULAR PURPOSE. TO THE EXTENT ANY IMPLIED WARRANTIES ARE IMPLIED UNDER STATE LAW, SUCH WARRANTIES ARE LIMITED TO THE DURATION OF THE APPLICABLE LIMITED WARRANTY TIME FRAME OF THREE (3) YEARS.

IN NO EVENT SHALL ALUMAX BE LIABLE FOR SPECIAL, DIRECT, INDIRECT, OR CONSEQUENTIAL DAMAGES, INCLUDING, BUT NOT LIMITED TO, LOSS OF USE OR PROFITS, PERSONAL INJURY, OR DAMAGE TO OTHER PROPERTY.

Some states do not allow the exclusion or limitation of implied warranties, or the exclusion or limitation of special, incidental or consequential damages, therefore these limitations and exclusions may not apply to you.

This warranty gives you specific legal rights, and you may also have other rights which vary from state to state.

How do You Get Warranty Assistance?

To make a claim under the terms of this Limited Warranty, contact your local Alumax Dealer or call or write Alumax Consumer Service at 800-643-1514, 248 W. Greene St., Magnolia, AR 71753. Proof of Purchase and/or Registration of the product is required for warranty coverage.

¹ The manufacturer's recommended practices and installation instructions are available at www.alumaxshowerdoor.com, by contacting your local Alumax Dealer, or by calling or writing Alumax Customer Service at 800-643-1514, 248 W. Greene St., Magnolia, AR 71753.

!WARNINGS!

Alumax Bath Enclosures by Hydro are intended to be installed by experienced installers. If you need assistance with installation, or locating an experienced installer, contact Alumax Consumer Service at 800-643-1514. Ensure that the bath enclosure is installed appropriately. Improper installation can lead to breakage, damage or improper performance of the bath enclosure.

Wear safety glasses when drilling or cutting to avoid injury to the eyes.

When drilling holes in ceramic tile or marble, use a center punch and hammer to carefully break the surface glaze so the drill can start without skidding. A skidding drill can cause damage to the surface and can be dangerous (risk of personal injury).

Use caution and proper technique whenever using tools to avoid damage to property and/or personal injury.

Shower doors are not water-tight. They are designed to prevent leaks under normal shower conditions. Excessive water pressure or directing the shower directly at the door can result in leaks.

Do not hang on towel bars or handles or use them to support your weight getting in and out of the bathtub or shower. Towel bars and handles are not intended to be used as grab bars for assistance getting in and out of the shower or bathtub. They are not intended to support a person's weight and could break.

Do not use excessive force when opening and closing shower doors. Excessive force could lead to glass breakage or other damage to the enclosure.

!GLASS WARNINGS!

TEMPERED GLASS CANNOT BE CUT. Attempting to cut tempered glass will result in the glass breaking or shattering.

USE CAUTION WHEN HANDLING GLASS PANELS. Safety tempered glass is very resistant to breakage, but it can still break if unequal pressure is placed on it during installation (or if cutting of the glass is attempted). In addition, the sharp corners of the panels can damage tile and floor coverings or cause injury.

BEFORE BEGINNING INSTALLATION

Unpack your unit carefully and inspect for freight damage. Lay out and identify all parts using the instruction sheets as a reference. Before discarding the carton, check for small hardware bags that tend to fall into the bottom of the box. If any parts are damaged or missing, refer to the descriptions noted in the instructions when contacting your dealer for replacements.

To install your Alumax Bath Enclosure by Hydro, you will need the following: tape measure, level, #2 Phillips screwdriver, flat screwdriver, drill, 1/8", 7/64" and 3/16" drill bits, hacksaw, pencil, and caulking (clear silicone recommended). Optional tools include a miter box for cutting parts to length, files, center punch and masking tape.

NOTE: Before beginning installation, check the tub rim for level and both walls for plumb. If either are off more than ¼" to 3/8", you may want to contact your dealer for tapered fillers which can be used to level the tub track or plumb the wall jams.

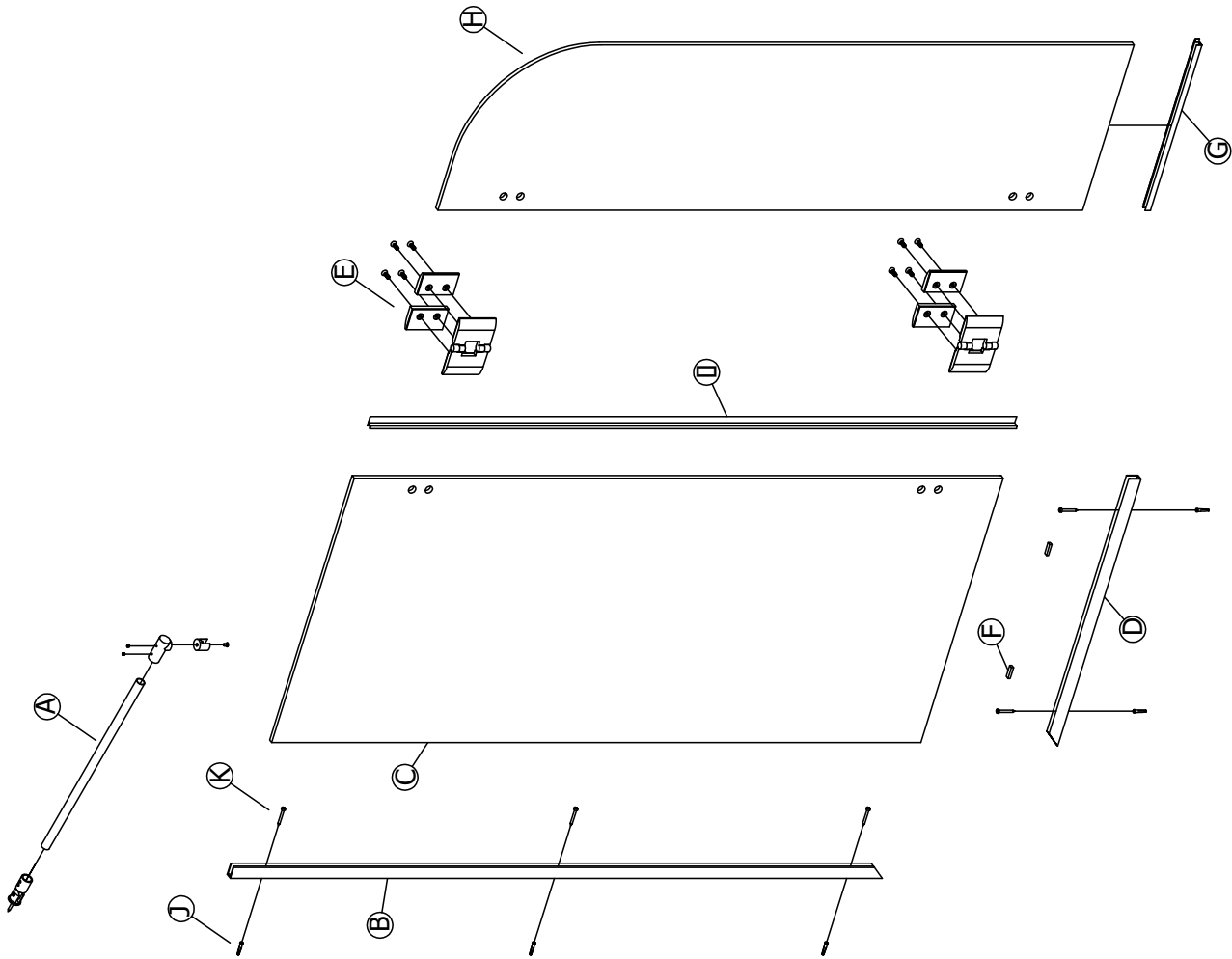
CARE AND CLEANING

The simplest and preferred method of cleaning your unit is by washing it with clean water and drying with a soft cloth.

If soil is still present after drying, a non-abrasive cleanser with a pH of seven to eight may be used. Comet Bathroom Cleaner® has been tested and is recommended by the Bath Enclosure Manufacturers Association (BEMA).

DO NOT USE SCOURING PADS, SHARP INSTRUMENTS, BLEACH OR ACID-BASED CLEANSERS TO CLEAN THE UNIT AS THEY MAY DAMAGE THE UNIT.

Parts List



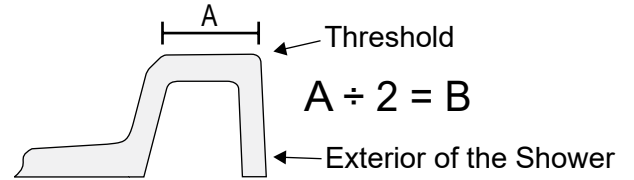
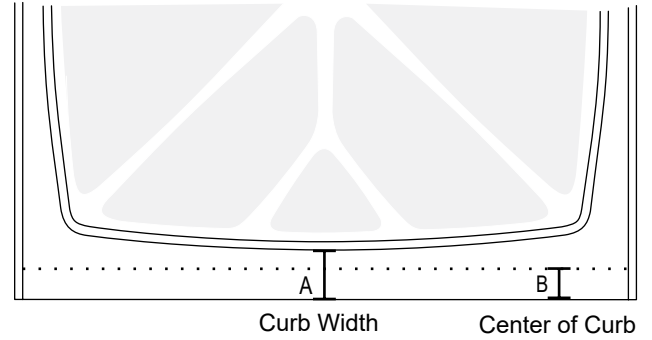
LANI SHIELD PARTS LIST

- A** Support Bar
- B** Wall Jamb Glazing Channel (SC-929)
- C** Side Panel
- D** Curb Glazing Channel (SC-929)
- E** Hinge (2)
- F** Spacing Blocks (V-218)
- G** Bottom Door Gasket (V-351)
- H** Door Panel
- I** Side Panel Gasket
- J** Wall Anchors (5)
- K** 1-1/2" Screws (5)

1 FINDING CENTERLINE OF THRESHOLD

The door will need to be placed so it rests on center of the threshold.

To find the center you will need to measure the width of the threshold (A) and then divide that by 2 = Centerline (B) Mark the Centerline using a pencil.



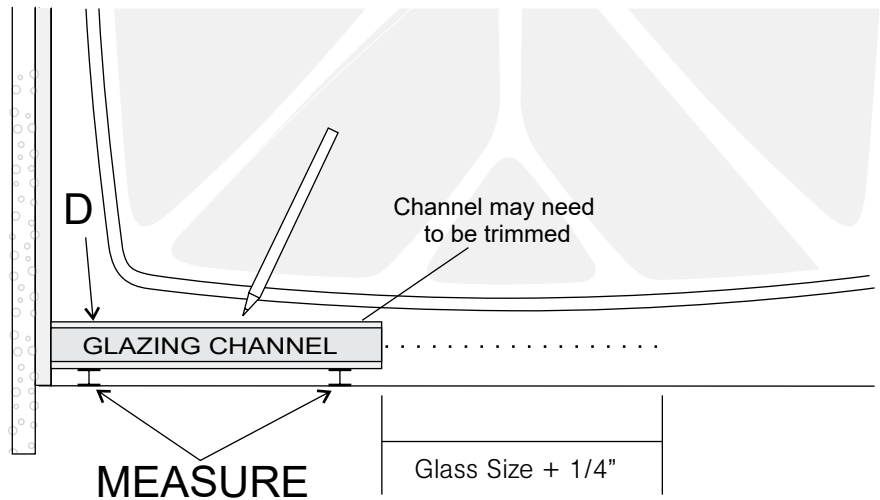
2 LINING UP HORIZONTAL GLAZING CHANNEL

Place glazing channel (D) onto threshold and line it up with the centerline.

Make sure glazing channel (D) is parallel to the front of the shower threshold and is also centered on the shower threshold.

With glazing channel set in place, use a pencil to mark its position on the threshold

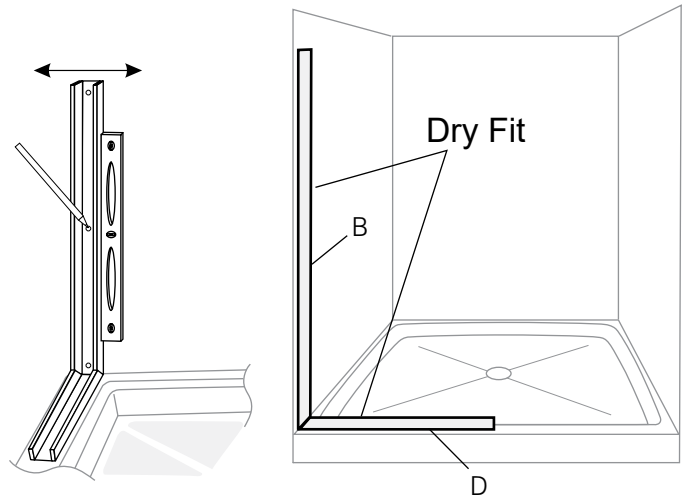
A piece of painters tape can be used to hold glazing channel into place



3 LINING UP VERTICAL GLAZING CHANNEL

Place vertical glazing channel (B) on top of the bottom glazing channel and line them up where they meet in the bottom corner.

Using a level, plumb the vertical glazing channel. This is a very important step so take time to make sure the vertical channel is perfectly plumb.

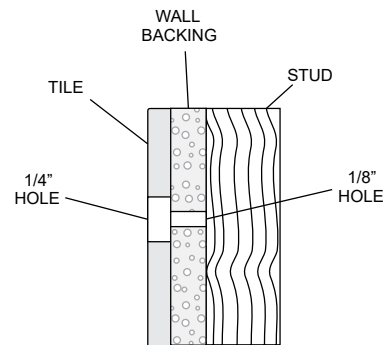


4 PRE-DRILLING FOR GLAZING CHANNELS

Pre-drill holes through the shower wall using a 1/4" drill bit. Pre-drill through wall board and into the wood backing using 1/8" drill bit. Note: If there is no wood backing, use the anchors provided.

Clean out the holes then fill with silicone.

Clean all dust and debris from the shower wall and the threshold to prepare for mounting the channels.



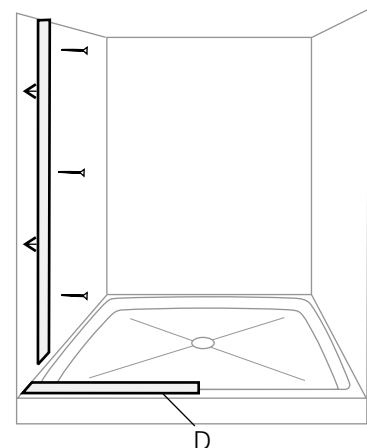
5 INSTALLING THE CHANNELS

Install the bottom glazing channel (D) first by screwing it to the shower threshold using (K) 2" panhead screws.

Install the vertical glazing channel by screwing it to the shower wall using the 2" panhead screws.

Silicone may be used during channel installation to achieve maximum leak prevention. If silicone is used to hold the bottom channel, you must wait until it is fully cured before continuing with the installation.

Note: Installation is not recommended on porcelain/cast iron tubs.



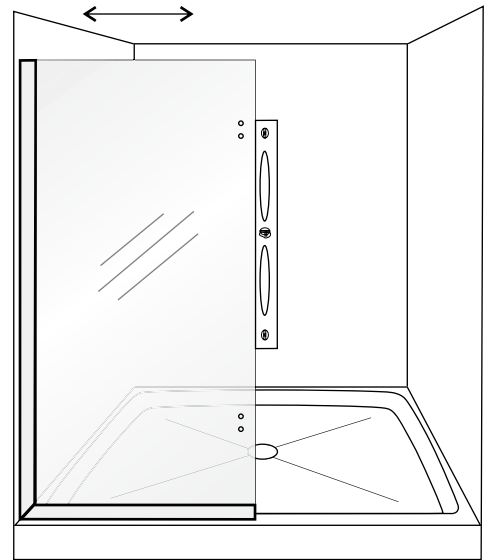
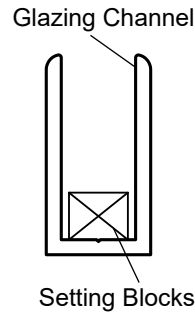
6 DRY FITTING SIDE PANEL

Note: Please Handle Glass With Care!

Put two setting blocks (F) into the bottom glazing channel to rest the side glass panel onto when dry-fitting it.

Place side panel (C) inside the glazing channels. Place a level on the edge of the side panel and then adjust the setting blocks in order to make the glass plumb. Several thicknesses of setting blocks are provided to help with adjustments.

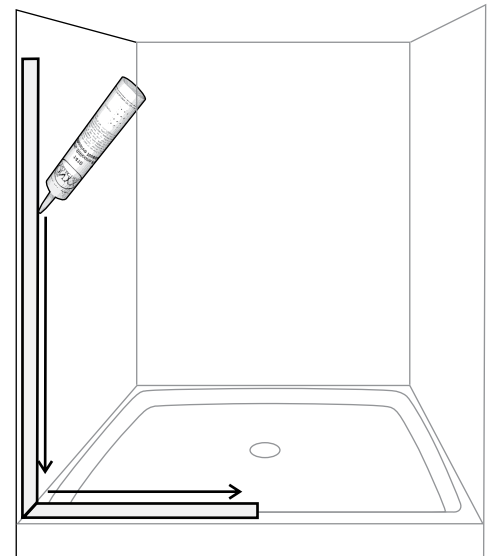
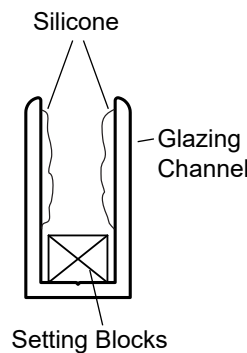
Leave glass panel in place. The side panel is needed to line up the door in a later step.



7 WET GLAZING

Once the positioning of the glass side panel is determined to be correct, the next step is to secure the side glass panel. Remove the glass panel from the channel and make sure the glass setting blocks remain in place.

Place a small bead of silicone on each side of the glazing track as shown. It is important to not put too much silicone in the channel as it will not allow the glass to rest completely into place.

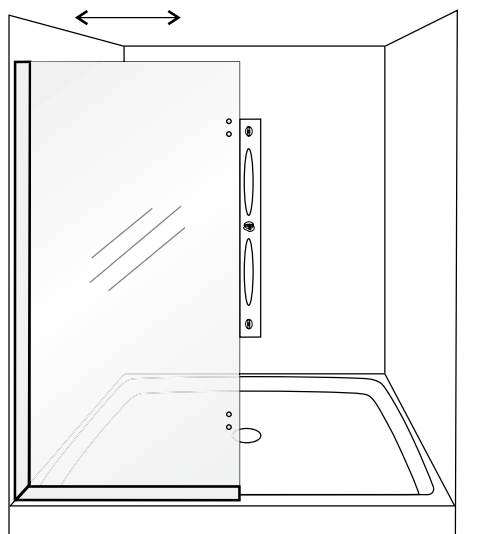
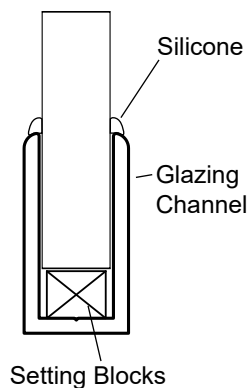


8 INSTALLING SIDE PANEL

Place side panel back in to the glazing channels. Check the position of the glass panel and make sure the panel is lined up with the outside edge of the bottom track.

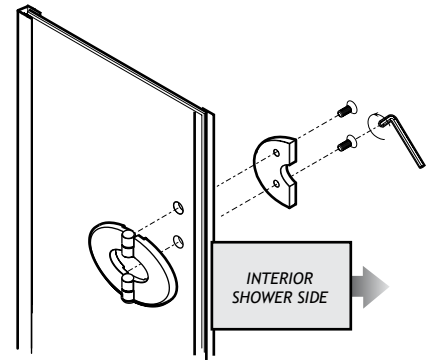
Note: If any silicone "oozes" out of the channel, clean it off quickly using a spraybottle of rubbing alcohol and paper towels.

Now seal the glass and channel by applying a small silicone bead where the channel meets the glass.



9 INSTALL THE HINGES (E)

Fasten one side of the hinges (E) to the fixed panel. Do not tighten all the way for this step to allow other door adjustments.

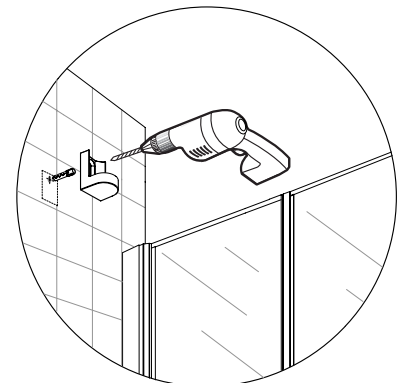
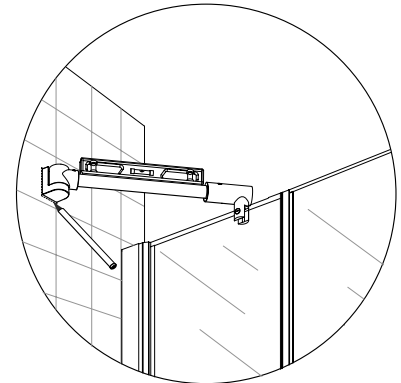
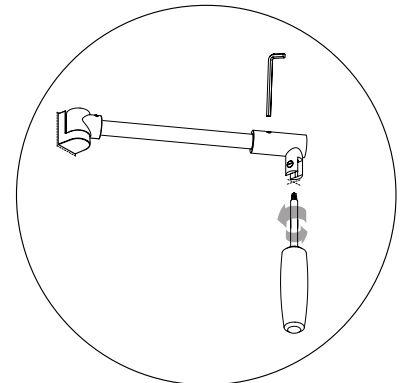


10 FASTEN THE SUPPORT BAR (A)

Loosen the glass clip. Align the slot to the fixed panel. The slotted screw head should be on the inside of the shower.

Rest the support bar (A) on the fixed panel inside the tub. Level it and trace an arc on the wall.

Isolate the wall bracket and drill a hole, using a 1/4" drill bit through the wall. Locate the position of this hole by way of the wall bracket. Insert a wall plug.



11 INSTALL THE DOOR PANEL

Caution: It is best to have 2 people working on this step.

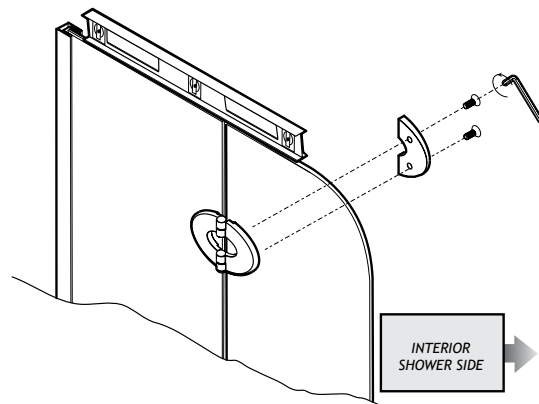
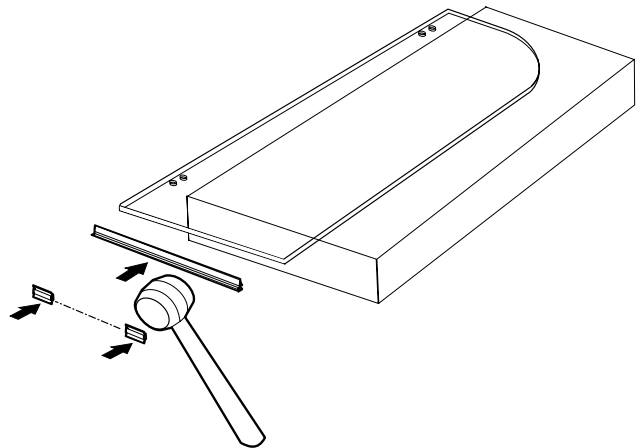
Cut the bottom door gasket (G) the width of the door glass.

Rest the door panel (H) on a flat surface. With the mallet, insert the bottom door gasket at the bottom of the door. Make sure the lip faces the bath side.

Place the door panel vertically next to the fixed panel. The holes for the hinges should be aligned.

Fasten the second part of each hinge. The door panel must be leveled before tightening the hinges completely. Remove the leveling blocks.

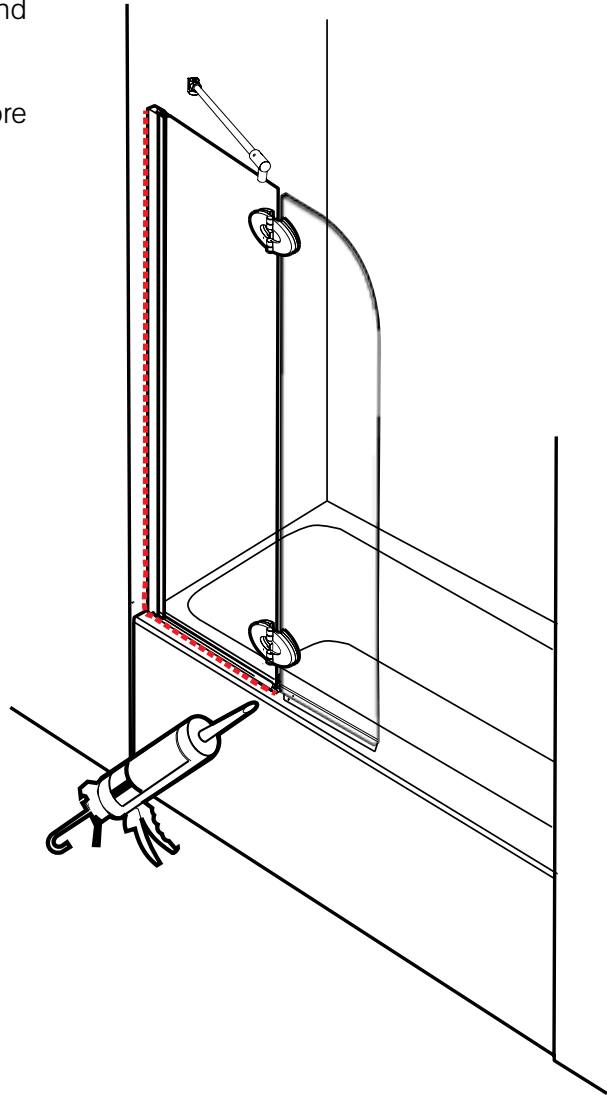
Check the position of the glass panel and make sure it is still lined up with the door glass. Ideally, there should be about a 1/4" gap (+/- 1/16") between the side panel and the door glass.



12 SEAL THE EXTERIOR WITH SILICONE

Silicone seal the exterior of the shower along the wall and the aluminum threshold and around the clip.

Allow 24 hours for the silicone to completely cure before using your new enclosure.



Care and Cleaning of your new Alumax Bath Enclosure

The simplest and preferred method of cleaning your unit is by washing it with clean water and drying with a soft cloth. If soil is still present after drying, a non-abrasive cleanser with a pH of seven to eight may be used. Comet Bathroom Cleaner® has been tested and is recommended by the Bath Enclosure Manufacturers Association (BEMA). Do not use scouring pads, sharp instruments, or acid-based cleansers to clean the unit.

Thank you for choosing an Alumax Bath Enclosure.
